

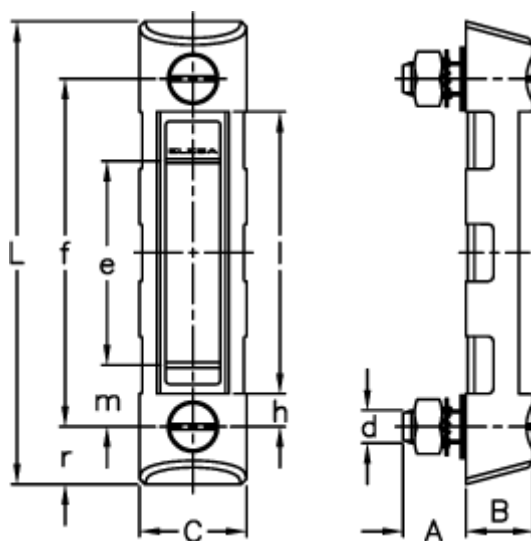
Data Sheet



Article number: 2311011371

Description: E+G Column level indicator w/protect
HCX.127+P

Measures



A = 23	L	= 169
B = 25	m	= 23
C = 39	Max tightening torque (Nm)	= 12 - 15
d = M12	r	= 21
e = 80	t	= +/-0,5
f = 127		
h = 12		
l = 103		